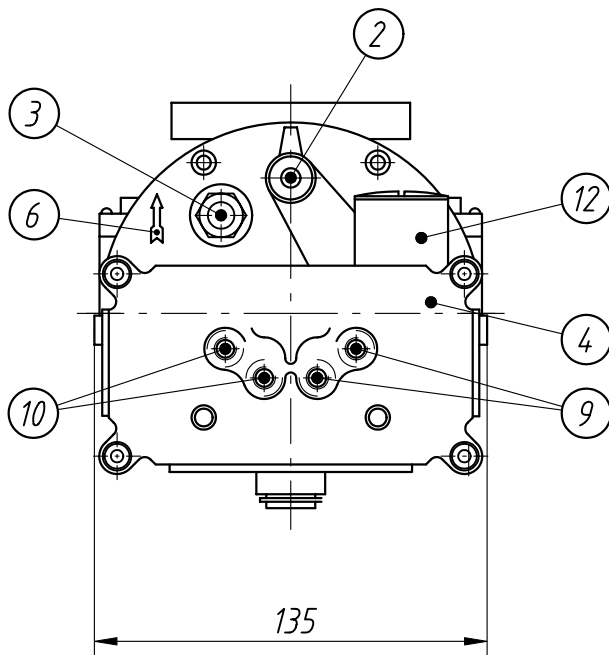



SUNSHIELD COVER
UPON REQUEST



POS. NR	DESCRIPTION
1	GLASS INSPECTION WINDOW
2	GAS RELEASE COCK
3	PUSH BUTTON FOR CHECKING CIRCUIT
4	CABLE BOX
5	CABLE GLAND PG16
6	OIL FLOW DIRECTION
7	OIL DRAIN PLUG
8	
9	TRIP TERMINALS
10	ALARM TERMINALS
12	PLUG PG16
13	WINDOW SUNSHIELD COVER
15	GROUND TERMINAL

SIZE	Weight Kg
EE1-M *	1.7

* WIRING DIAGRAM

Detail Nr	Ant.	Benämning			Material		Mod.-nr Ämne Dimension	Anmärkning	
Konstr.	Ritad	KJ	Kop.	Kontr.	Stand.	Godk.	Skala	Ersätter	Ersatt av
 +46 (0)8 760 29 25 WWW.HAMP.SE					GAS ACTUATED RELAY TYPE EE1-M			Datum	
								110525	
							Ritnings nr		
							EE1-M		