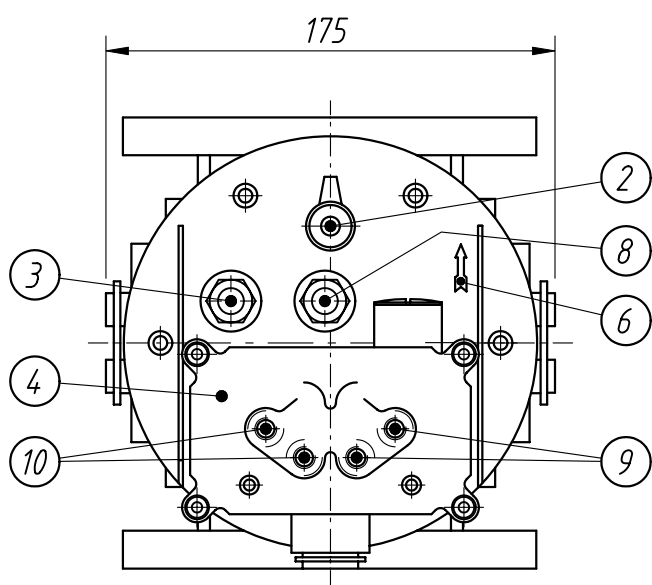



SUNSHIELD COVER
UPON REQUEST



POS. NR	DESCRIPTION
1	GLASS INSPECTION WINDOW
2	GAS RELEASE COCK
3	PUSH BUTTON FOR CHECKING CIRCUIT
4	CABLE BOX
5	CABLE GLAND PG16
6	OIL FLOW DIRECTION
7	OIL DRAIN PLUG
8	PNEUMATIC TEST DEVICE
9	TRIP TERMINALS
10	ALARM TERMINALS
11	COCK FOR AIR INJECTION TEST
12	PLUG PG16
13	WINDOW SUNSHIELD COVER
15	GROUND TERMINAL

SIZE	d1	A	D	C	B	Weight Kg
EE2-M *	51	280	140	110	180	4.6
EE3-M *	76	310	160	130	195	5.5

Z: NR OF HOLES ON THE FLANGE
* WIRING DIAGRAM

Detalj Nr	Ant.	Benämning			Material		Mod.-nr Ämne Dimension	Anmärkning	
Konstr.	Ritad	KJ	Kop.	Kontr.	Stand.	Godk.	Skala	Ersätter	Ersatt av
 +46 (0)8 760 29 25 WWW.HAMP.SE					GAS ACTUATED RELAY TYPE EE2-EE3M			Datum	
								Ritnings nr	
							EE2-EE3-M		