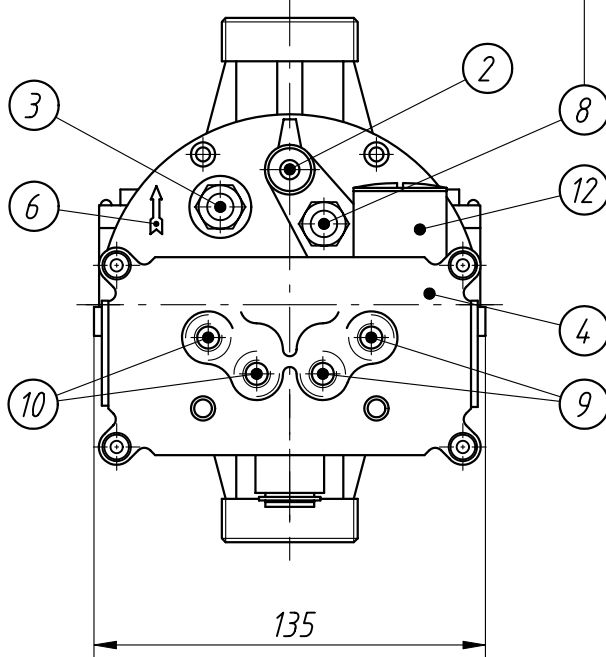


SUNSHIELD COVER
UPON REQUEST

PNEUMATIC TEST VALVE
UPON REQUEST



POS. NR	DESCRIPTION
1	GLASS INSPECTION WINDOW
2	GAS RELEASE COCK
3	PUSH BUTTON FOR CHECKING CIRCUIT
4	CABLE BOX
5	CABLE GLAND PG16
6	OIL FLOW DIRECTION
7	OIL DRAIN PLUG
8	PNEUMATIC TEST DEVICE
9	TRIP TERMINALS
10	ALARM TERMINALS
12	PLUG PG16
13	WINDOW SUNSHIELD COVER
15	GROUND TERMINAL

SIZE	A	Weight Kg
EB24-M *	190	1.40

* WIRING DIAGRAM

Detailj Nr	Ant.	Benämning			Material		Mod.-nr Ämne Dimension	Anmärkning	
Konstr.	Ritad	Kop.	Kontr.	Stand.	Godk.	Skala	Ersätter	Ersatt av	
Ritad		KJ							Datum
Ritnings nr		171109			GAS ACTUATED RELAY TYPE EB24-M DIN 42566		EB24-M		
HAMP		+46 (0)8 760 29 25 WWW.HAMP.SE							